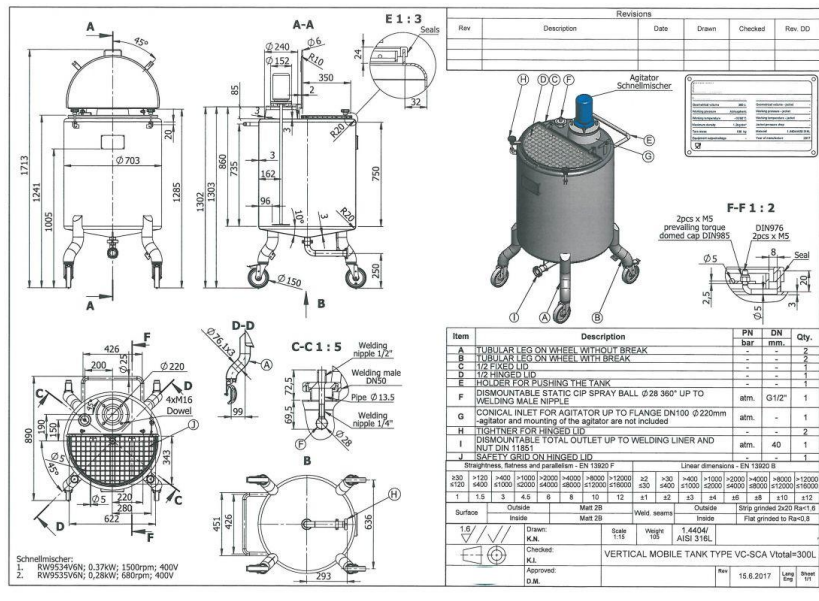


300 liter tank i Syrafast 316



99,000,00 kr /st exkl moms

item available on order

Article type: brand new mixing tank - type VC-SCA

Additional information: delivered with food certificate; *article price without agitator; choice of 2 different types of agitators; see options; (The article can also be purchased without options);* Ra=<0.8µm

Volumetric volume (L): 300 L

Max. density P (kg/m³): 1.200

Ra inner weld: 0,80

Finish stainless steel: 2b

Pressure in tank: ATM - atmosferic

Max. temperature (°C): 80 °C



Min. temperature (°C): -10 °C
Material wet parts: SS AISI 316L (V4A)

Model: vertical
Configuration: single-skin
Heat exchanger: no
Insulation: no
Mobile tank: yes

Top type: half hinging lid °
Shape of tank: cylindrical
Bottom type: conical 10 °
Total discharge: yes
Fixation points: 4 casters

Valve: RVS 316L
Fixation point(s): RVS 304
Suitable for food industry: yes
Documents included: yes, optional
Technical drawing included: yes

Registration plate on the tank: yes
Flange for agitator: yes
CIP spray ball: no, optional
Tank outlet: inside Ø 40 mm
Outlet type: DIN11851

Total outlet valve: no, optional
Agitator: no, optional
Outer diameter tank: 703 mm
Total height of tank: 1.760 mm
Empty weight tank: 82

SKU: 8225

Mer information

Beskrivning av produkt

Livsmedelsklassad: Ja

Material: Syrafast 316

Modell: Vertikal

Nyttillverkad/Begagnad: Nyttillverkad

Arbetsstryck i tank: ATM – atmosferic

Finish rostfritt stål: 2b

Konfiguration: single-skin

Max. arbetstemperatur: 80 °C

Maximal densitet för produkten: 1200

Min. arbetstemperatur: -10 °C

Mobil tank: Ja

Övrig information: delivered with food certificate; article price without agitator; choice of 2 different types of agitators; see options; (The article can also be purchased without options);

Övrig information2: Ra=<0.8µm

Omrörare: Nej

Ra innersvets: 0,80

Tankens form: cylindrical

Total urtappning: Ja

Typ av botten: conical 10 °

Uppvärmning/kylning: Nej

Vätskeberörd yta: SS AISI 316L (V4A)

Volym i liter: 300

Utrustning

Fläns för omrörare: Ja

Märkskylt: Ja

Livsmedelsklassad: Ja

Tankutlopp: inside Ø 40 mm

Teknisk ritning finns: Ja

Utloppstyp: DIN11851



Översikt material

Material: Syrafast 316

Fixeringspunkt(er): RVS 304

Dimensioner av tank

Total höjd: 1.760 mm

Ytterdiameter: 703 mm

Omrörare

Position motor: at the top

Typ av omrörare: propeller agitator

Varvtal: 1.410

Spänning (Volt): three-phase

Mer

Isolerad: Nej

Vikt: 82