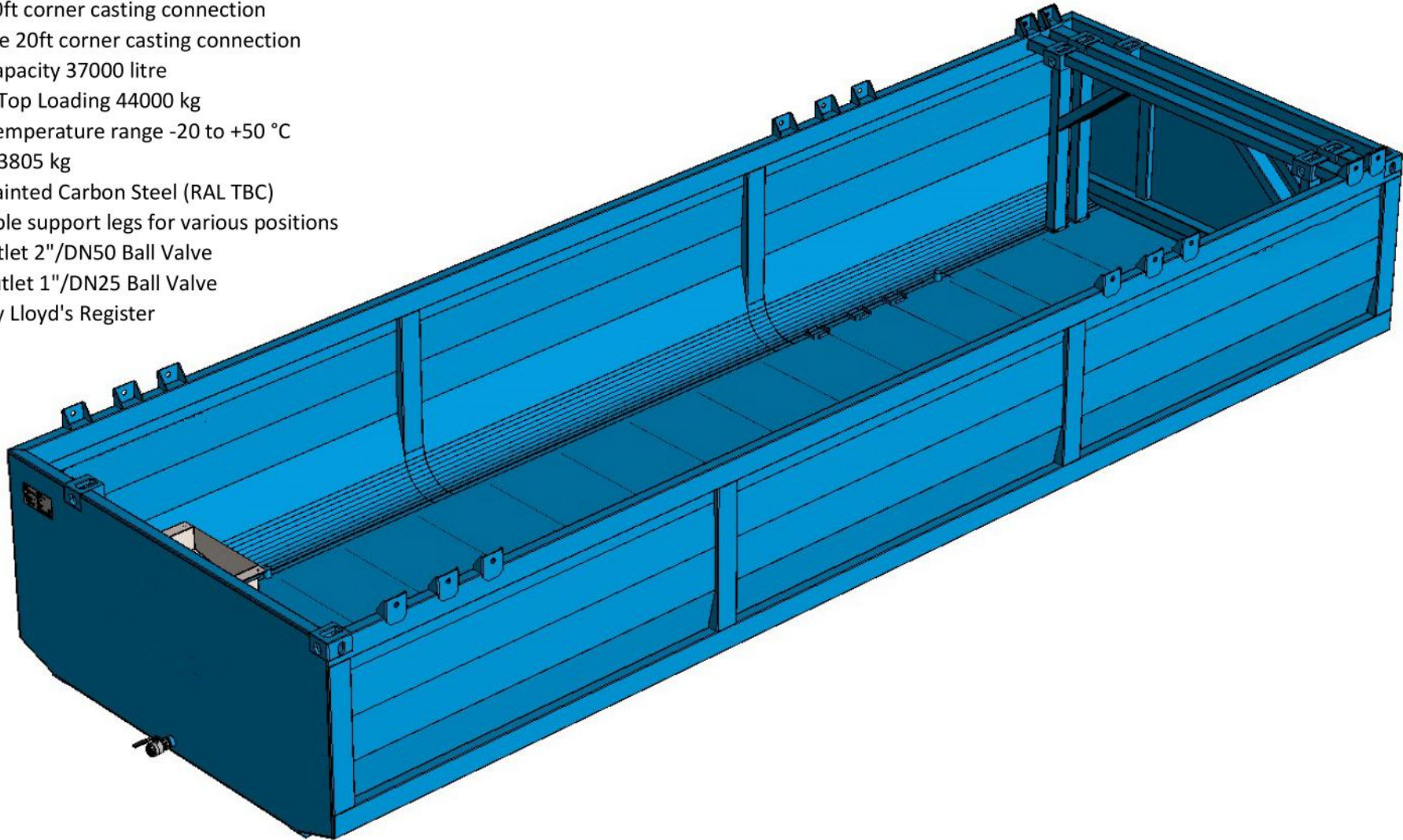
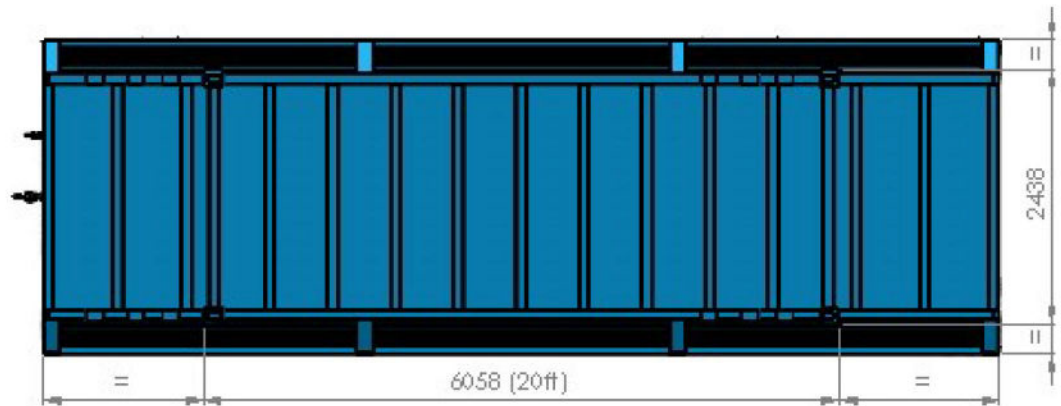
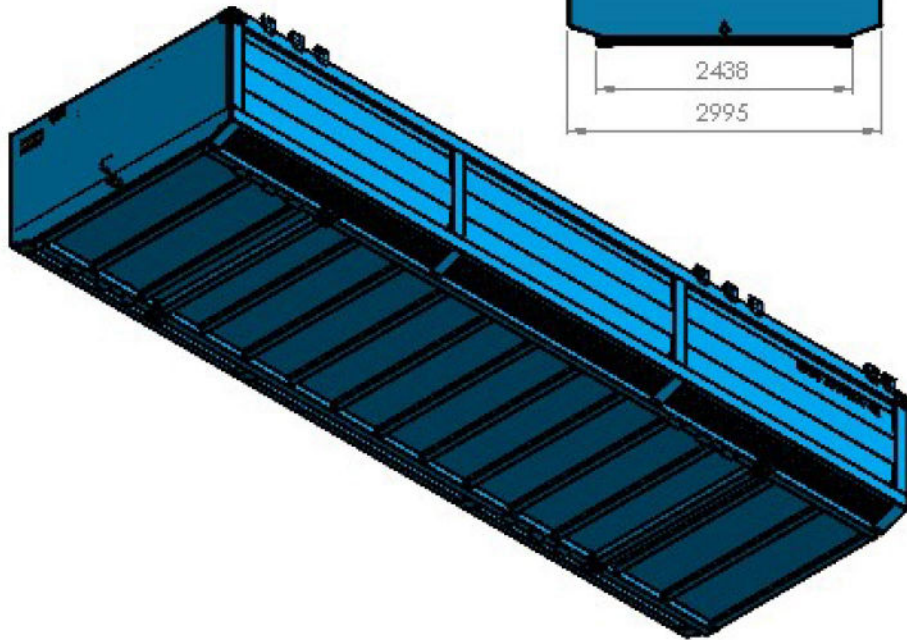
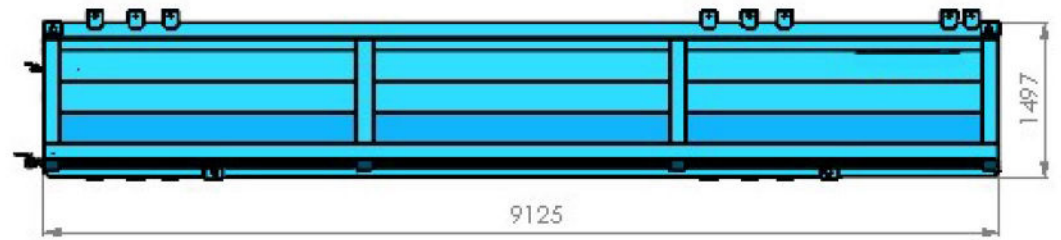
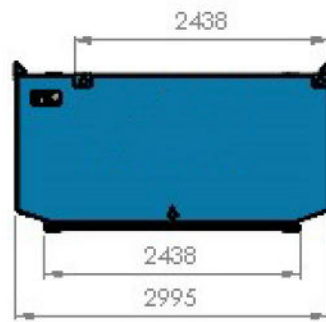
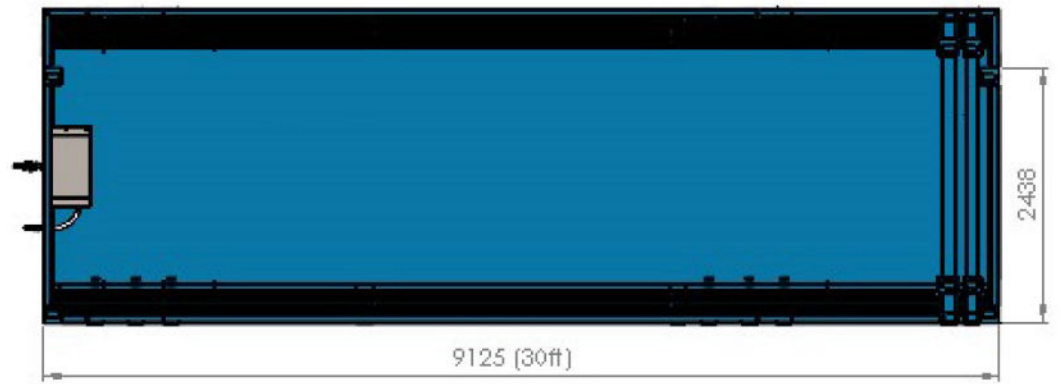
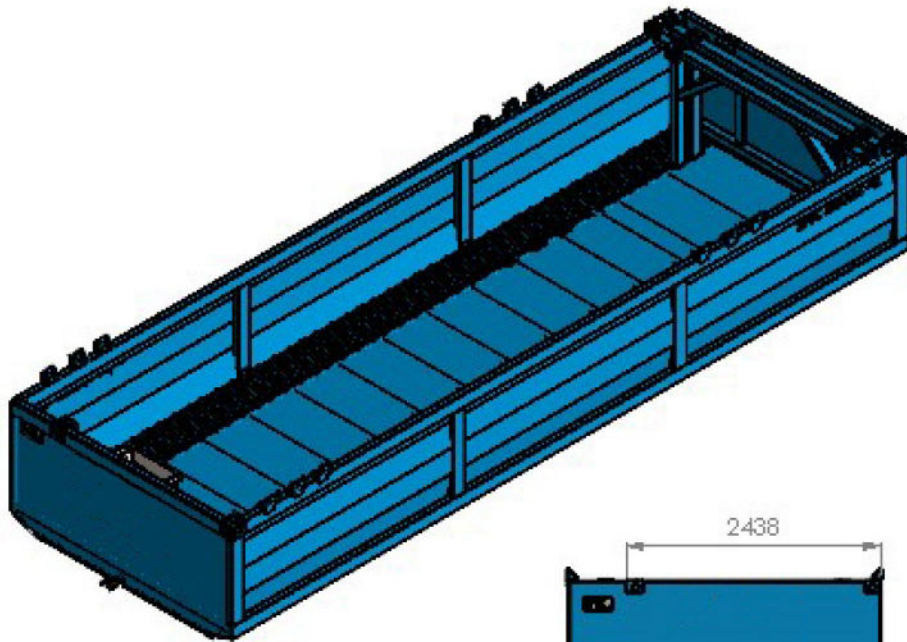


**General Parameters:**

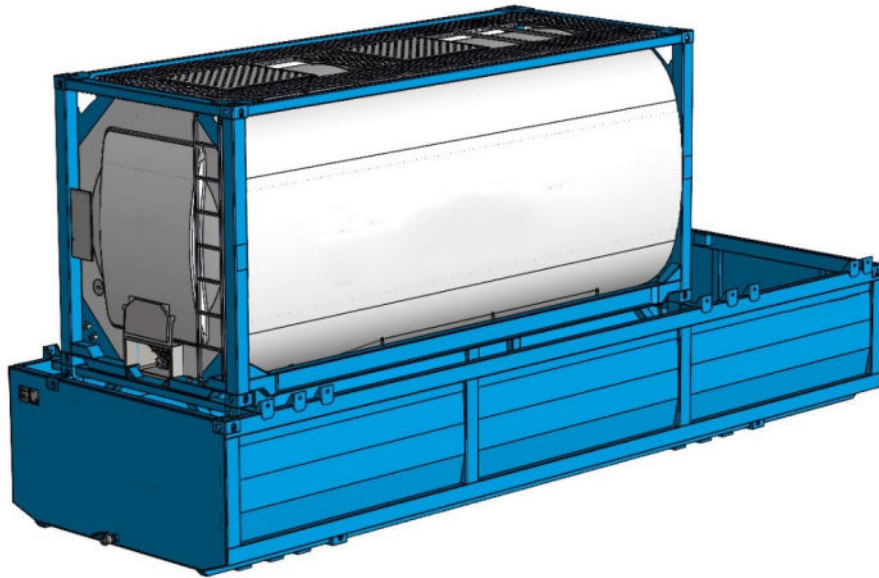
- Dimensions 9125 x 2995 x 1497mm (lxbxh)
- Top side 30ft corner casting connection
- Bottom side 20ft corner casting connection
- Nominal Capacity 37000 litre
- Maximum Top Loading 44000 kg
- Ambient Temperature range -20 to +50 °C
- Tare Mass 3805 kg
- Material Painted Carbon Steel (RAL TBC)
- Two movable support legs for various positions
- Bottom outlet 2"/DN50 Ball Valve
- Spilltray outlet 1"/DN25 Ball Valve
- Certified by Lloyd's Register



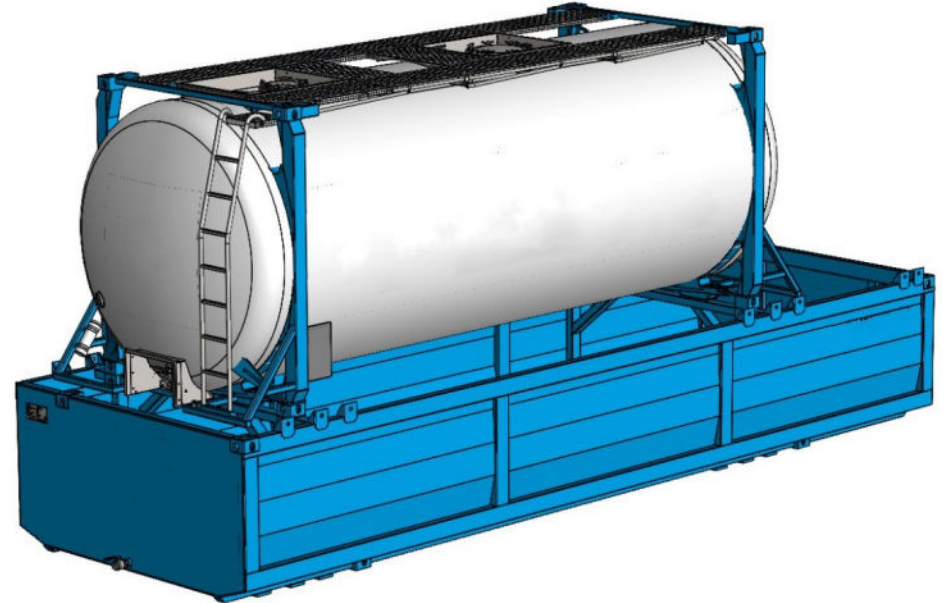




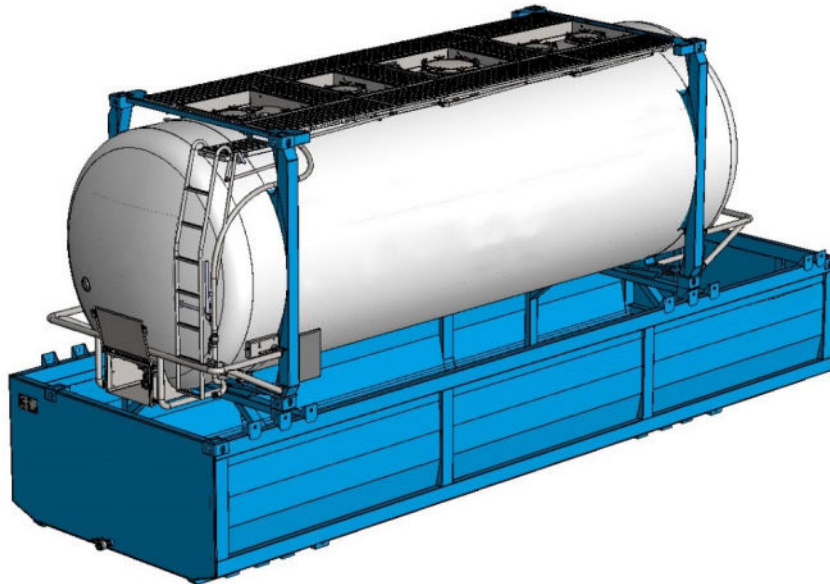
20ft POSITION



7.15 POSITION



7.82 POSITION



TRANSPORT POSITION

